



# Developing Mind and Igniting Thinking Through Toy Making

**By,**

**Harshul Brahmbhatt**

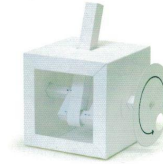
Assistant Professor, Children's University

# **Story - Tenali Ram and his Cat (Before the TOY)**

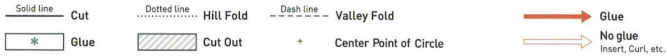


# CRANK MODEL

## Basic Mechanism : CRANK



The rod sways repeatedly in a circular motion. Templates on P. 77 - 79



**A** Build the pedestal. Glue the backside. Do not glue the front and bottom part at this stage.

Do not close

**B** Build part '1'

Curl the bottom flap by wrapping around a pen, then glue at its position.

**C** Build two sides of the crank separately. Glue the parts at right angles matching the arrows.

First side with the parts 2, 5 and 4.

Second side with parts 6 and 3.

**D** Insert 'B' through first side of the crank, then glue both the sides together. This completes the crank. 'B' is not glued anywhere and rotates freely.

**E**

Insert 'D' through the side holes and the top hole of the pedestal. Do not glue any part.

rotates freely

cross section

**F** Glue the washers to the axle on each side at their positions. Do not glue any part to the pedestal.

Glue the front

cross section

**G**

Attach the handle and close the bottom too.

Align the square centers then glue the flaps at the back of the handle.

Solid line    **Cut**

Dotted line    **Hill Fold**

Dash line    **Valley Fold**

\*    **Glue**

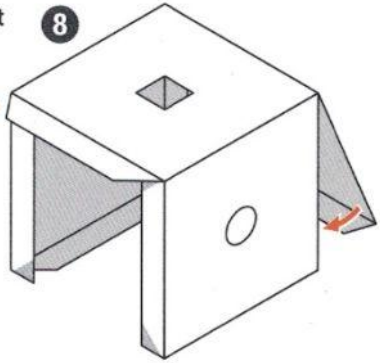
    **Cut Out**

+    **Center Point of Circle**

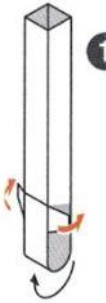
    **Glue**  
    **No glue**  
Insert, Curl, etc.

**A**    Build the pedestal. Glue the backside. Do not glue the front and bottom part at this stage.

Do not close **8**



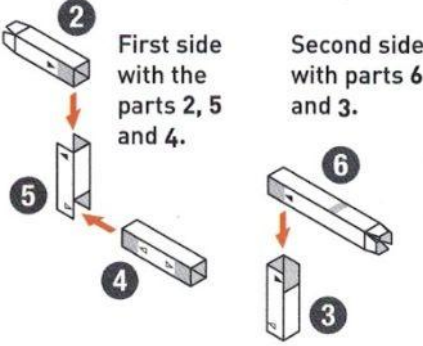
**B**    Build part '1'



**1**

Curl the bottom flap by wrapping around a pen, then glue at its position.

**C**    Build two sides of the crank separately. Glue the parts at right angles matching the arrows.



**2**    First side with the parts 2, 5 and 4.

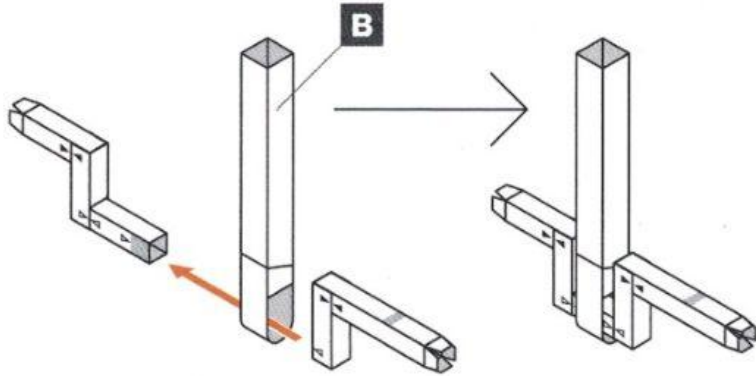
**6**    Second side with parts 6 and 3.

**5**    **4**    **3**

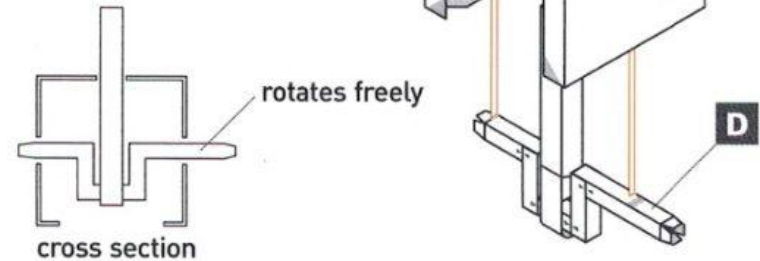
# CRANK MODEL STEP 1

**D**

Insert 'B' through first side of the crank, then glue both the sides together. This completes the crank. 'B' is not glued anywhere and rotates freely.

**E**

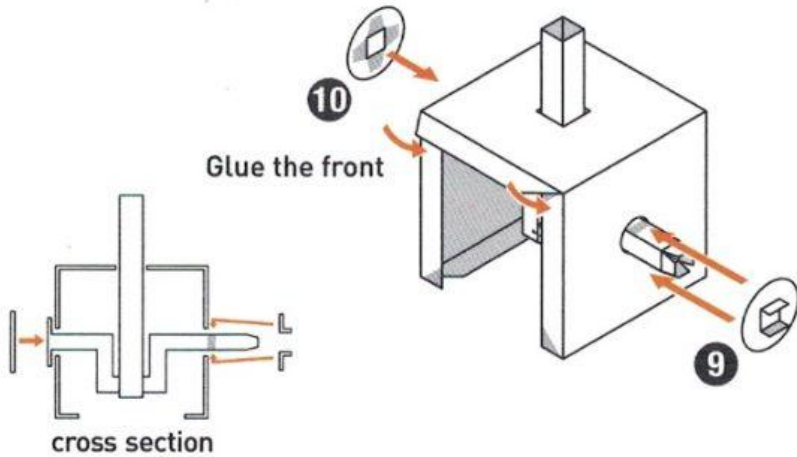
Insert 'D' through the side holes and the top hole of the pedestal. Do not glue any part.



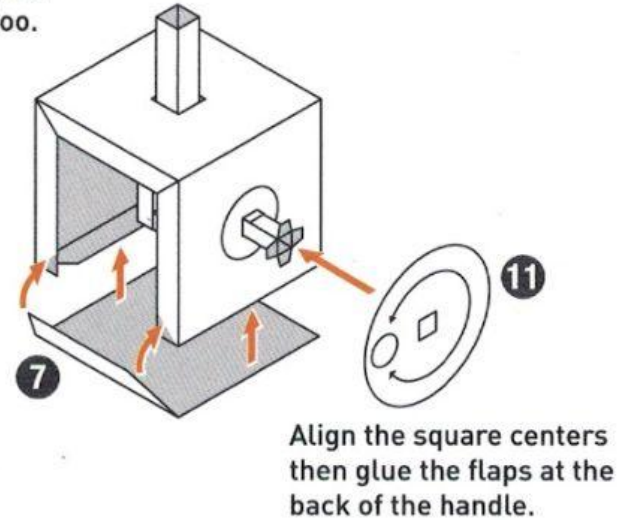
## CRANK MODEL STEP 2

**F**

Glue the washers to the axle on each side at their positions. Do not glue any part to the pedestal.

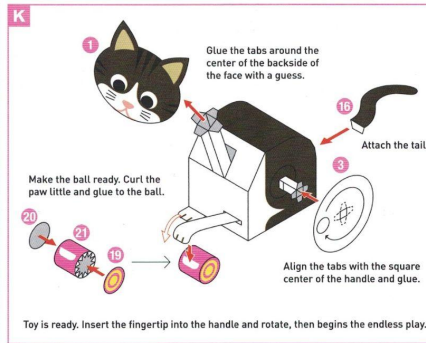
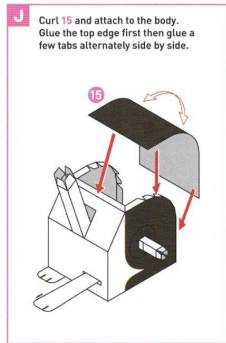
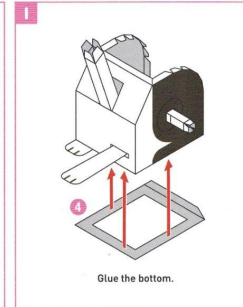
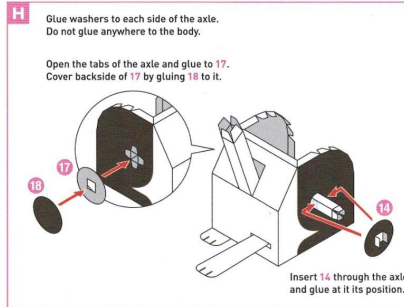
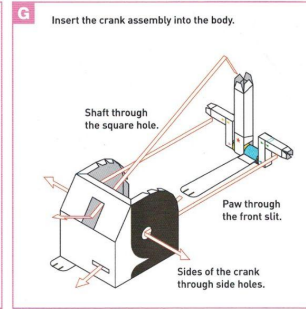
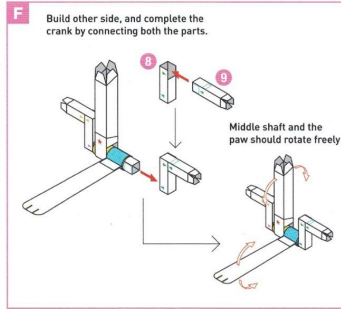
**G**

Attach the handle and close the bottom too.



## CRANK MODEL STEP 3

# MOVING CAT MODEL





# CAT Model In making





# CAT Model In Working



